


AMISOL

design Daniel Rybakken, 2017

**LUCE
PLAN**

Type:	Suspension	
Light source:	LED 53W (*) 3000K	EEL: A++
Product use:	Indoor	
Materials:	Aluminium body structure, plastic shader	
Colors:	Structure in white disk in opaline white, silver and gold	
Description:	Like a solar sail, an incredibly powerful light source projects a beam of light onto the large, almost weightless disk, either diffusing or reflecting the light.	

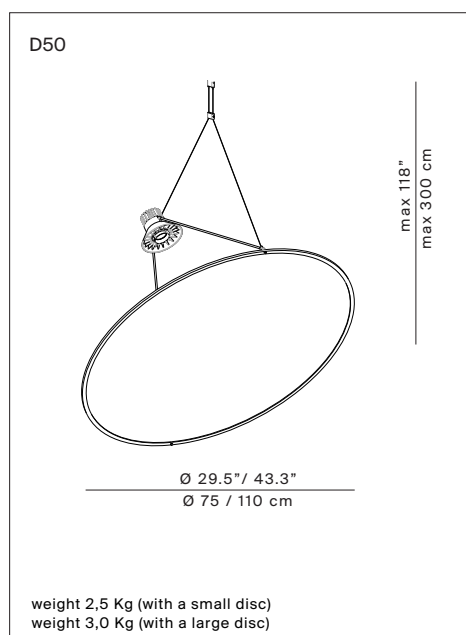
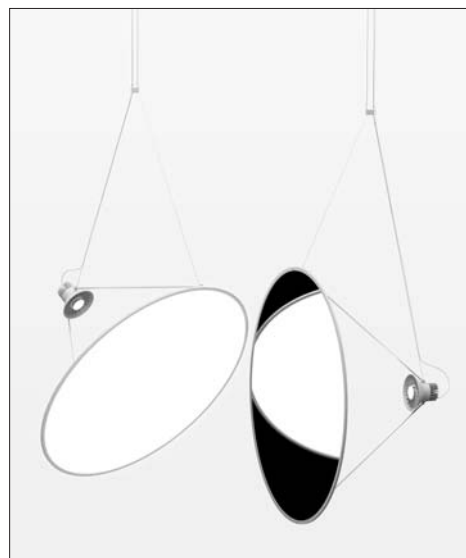
Insulation class: 

Reference code: **structure**
1D910S000002 light grey

disk 75 cm
1D910/100002 opal
1D910/100020 silver
1D910/100030 gold

disk 110 cm
1D910/200002 opal
1D910/200020 silver
1D910/200030 gold

anti-rotation accessory
1D91/OAAR000



^(*)The LED lamps cannot be changed in the luminaire
Power consumption by device

