

## Safety instructions

Important! Before commencing installation work disconnect the main cable from the power supply - remove fuse or turn switch to "OFF"!

1. Installation should be carried out in accordance with the local safety regulations.
2. In order to prevent damage, please check walls for cables before drilling holes.
3. Please ensure that all electrical connections (even pre-assembled lamps) are screwed tightly or are fully inserted as good contact is essential for a long life-span at high currents. Please check for tightconnections after changing or adjusting lamps. Screwed connections must be tightened after 20 minutes.
4. Please do not place objects on your system (e.g. for decorative purposes) if they were not delivered with the system.
5. The lamps get very hot when in use. Please allow lamps to cool down before touching.
6. Do not change lamps or spots when switched on.
7. System should not be enlarged with additional lamps.
8. We reserve the right to technical alterations.

Please keep these instructions.

Europe: Fitting: E14 - Voltage: 220-240 V

North America: Fitting: E12 - Voltage: 110-120 V

Use of a dimmer is highly recommended

(Must be compatible with type of bulb.)

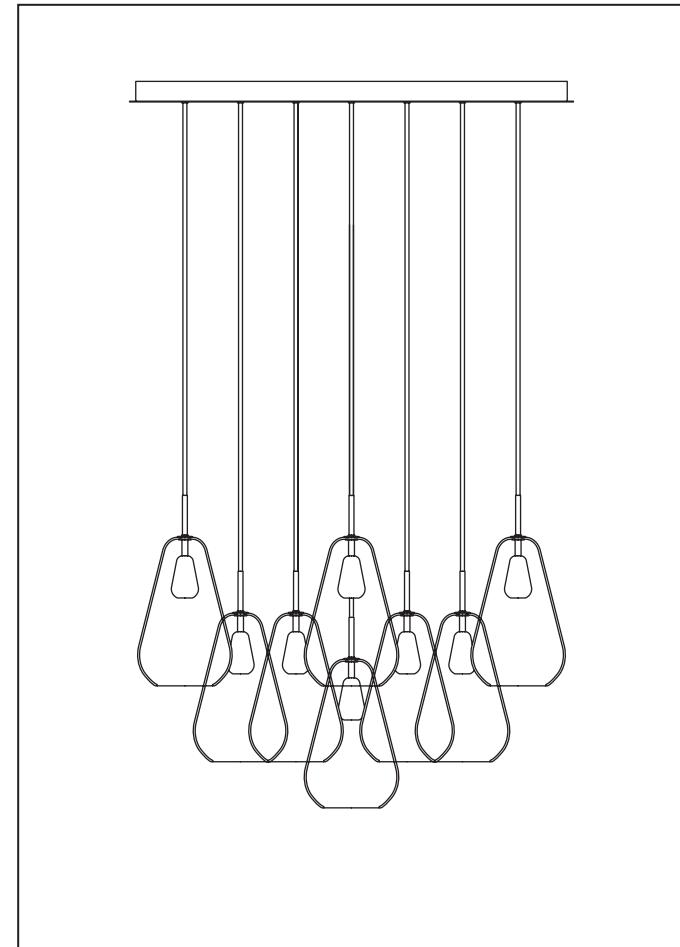
The glass used for this lamp is hand-blown.

Only 1st. quality has been chosen.

Air bubbles and variations in thickness and colour is normal.

# Anoli 13

## Assembly Instructions



NUURA

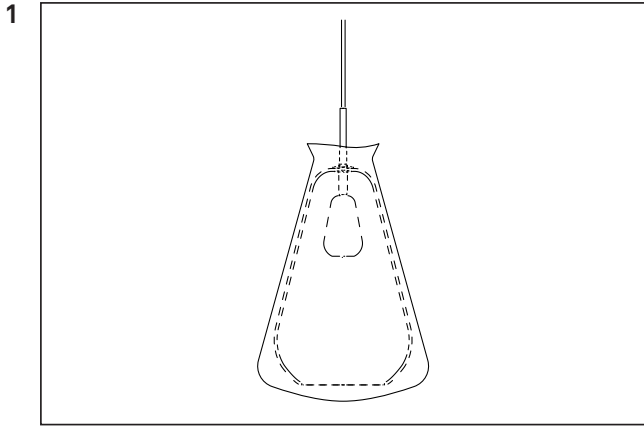
www.nuura.com  
info@nuura.com

CE

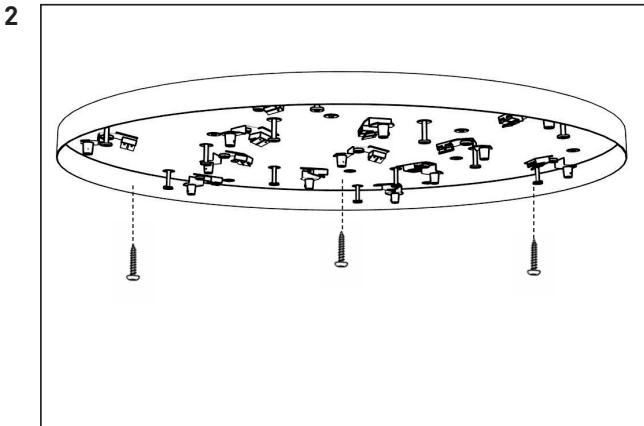
© 2018 All rights reserved

NUURA

© 2018 All rights reserved

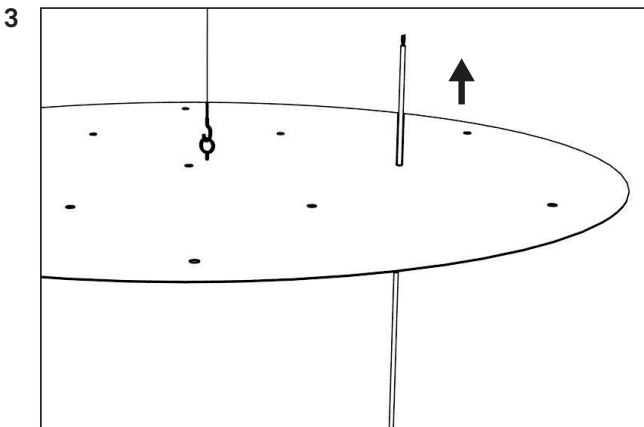


Please do not remove the pendant from its packeting until the pendants are securely attached to the mounted ceiling plate.



Fixate the mounting plate to the ceiling with screws.

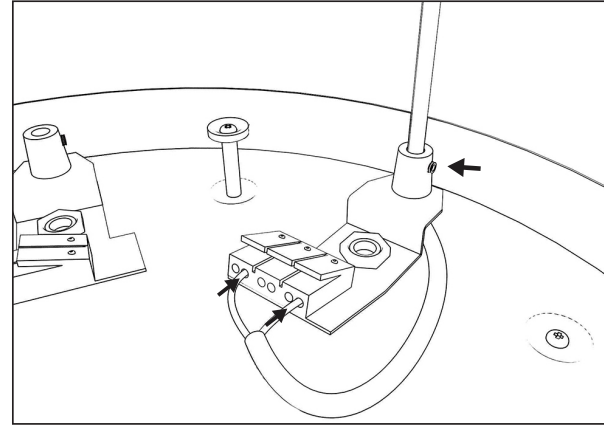
Please make sure it is fixated properly.



Lead the cables through the cover plate.

Remember to secure the cover plate to the ceiling plate with the wire.

4

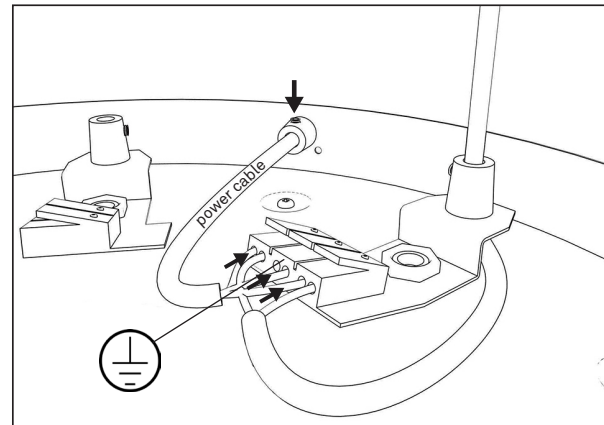


Lead the cables through the cable relief and fixate the cable by turning the screw clockwise.

Be sure to tighten the screw carefully.

Lead the wire-ends into the cable connector. Place the brown wire-end in one of the two holes in "L", place the blue wire-end in one of the two holes in "N"

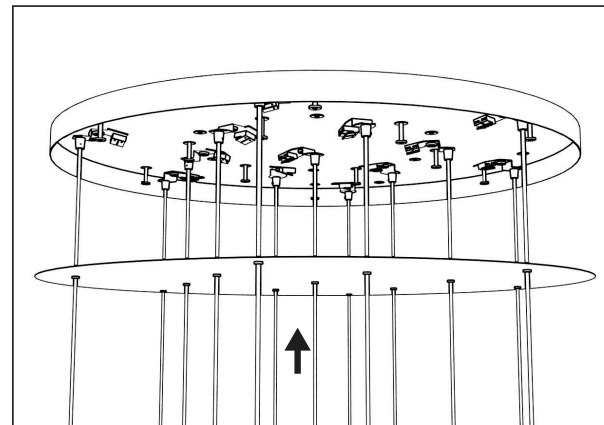
5



Lead the power cable into the ceiling plate and make sure the cable relief is tightened.

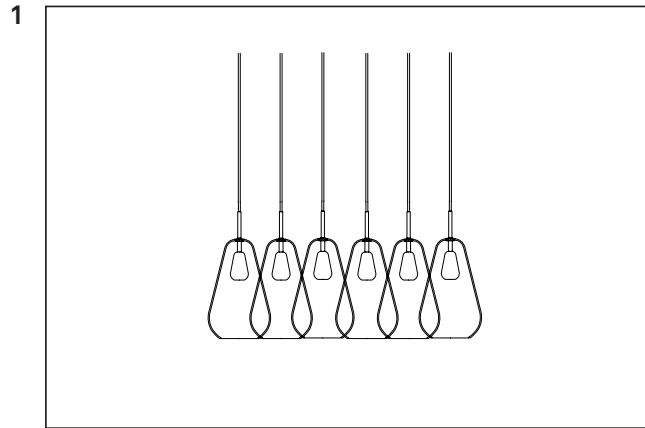
Connect the wire-ends to one of the cable connectors. Match the brown wire with "L" the blue wire with "N" and the green/yellow wire with the grounding symbol

6



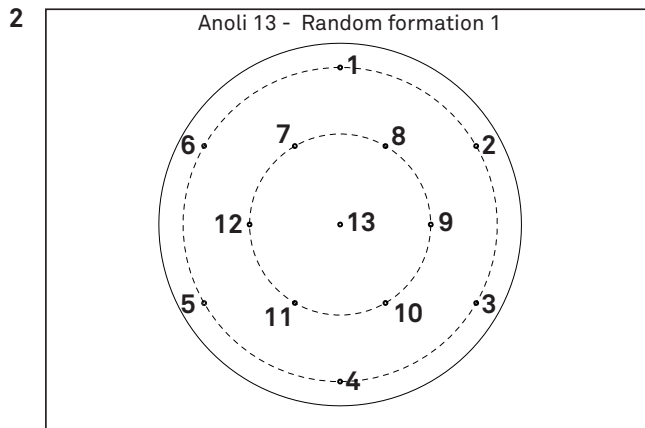
Attach the cover plate to the ceiling plate by carefully sliding it up and let the magnets fixate the cover plate to the ceiling plate.

NB: Place your hands on the side or bottom of the cover plate, when sliding it up towards the ceiling plate.



All cables are the same length:  
250cm / 98,4 in

If same length is desired adjust  
each cable in same length.

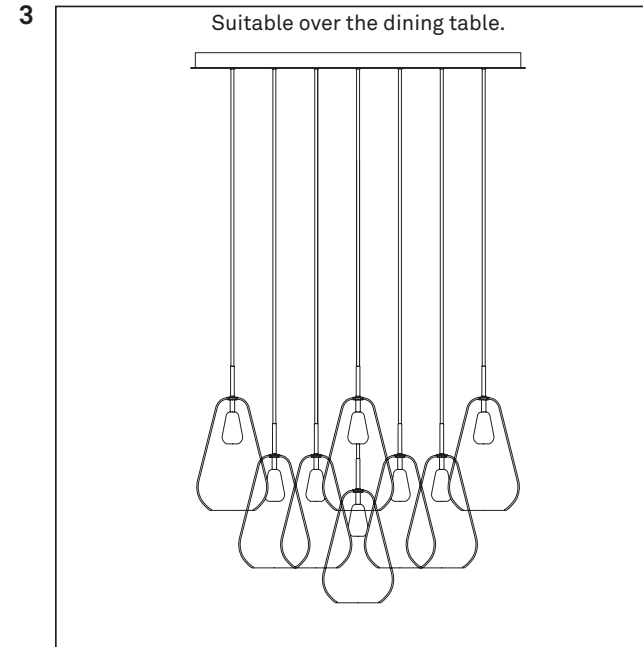


Arrange the cables by numeri-  
cal order if you want to make an  
arranged formation

If desired, adjust the length of the  
cables by shortening them.

NB. Cut off the same length of  
each cable for keeping the  
formation!

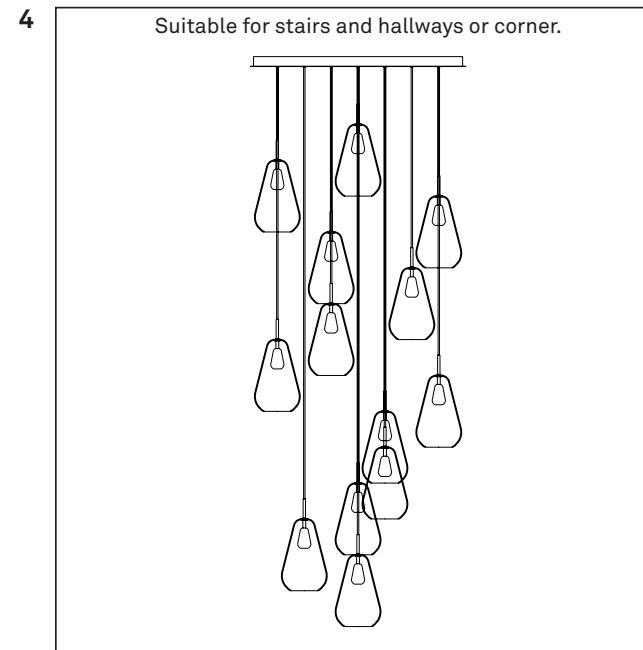
## Formation Suggetions



Anoli 13 - Formation 1  
To adjust the cables in random  
formation, please adjust cables as  
in following length:

- 1: 225cm / 88,6 in
- 2: 225cm / 88,6 in
- 3: 225cm / 88,6 in
- 4: 225cm / 88,6 in
- 5: 225cm / 88,6 in
- 6: 225cm / 88,6 in
- 7: 240cm / 94,5 in
- 8: 240cm / 94,5 in
- 9: 240cm / 94,5 in
- 10: 240cm / 94,5 in
- 11: 240cm / 94,5 in
- 12: 240cm / 94,5 in
- 13: 250cm / 98,4 in

Lead the wires in through the holes  
starting with nr.1. Place clockwise.



Anoli 13 - Random formation 1  
To adjust the cables in random  
formation, please adjust cables as  
in following length:

- 1: 250cm / 98,4 in
- 2: 175cm / 68,9 in
- 3: 100cm / 39,4 in
- 4: 220cm / 86,6 in
- 5: 160cm / 63 in
- 6: 85cm / 33,5 in
- 7: 145cm / 57,1 in
- 8: 205cm / 80,7 in
- 9: 130cm / 51,2 in
- 10: 190cm / 74,8 in
- 11: 115cm / 45,3 in
- 12: 235cm / 92,5 in
- 13: 70cm / 27,6 in

Lead the wires in through the holes  
starting with nr.1. Place clockwise.