

## Safety instructions

Important! Before commencing installation work disconnect the main cable from the power supply - remove fuse or turn switch to "OFF"!

1. Installation should be carried out in accordance with the local safety regulations.
2. In order to prevent damage, please check walls for cables before drilling holes.
3. Please ensure that all electrical connections (even pre-assembled lamps) are screwed tightly or are fully inserted as good contact is essential for a long life-span at high currents. Please check for tight connections after changing or adjusting lamps. Screwed connections must be tightened after 20 minutes.
4. Please do not place objects on your system (e.g. for decorative purposes) if they were not delivered with the system.
5. The lamps get very hot when in use. Please allow lamps to cool down before touching.
6. Do not change lamps or spots when switched on.
7. System should not be enlarged with additional lamps.
8. We reserve the right to make technical alterations.

Please keep these instructions.

Fitting: G9

Use of a dimmer is highly recommended  
(Must be compatible with type of bulb.)

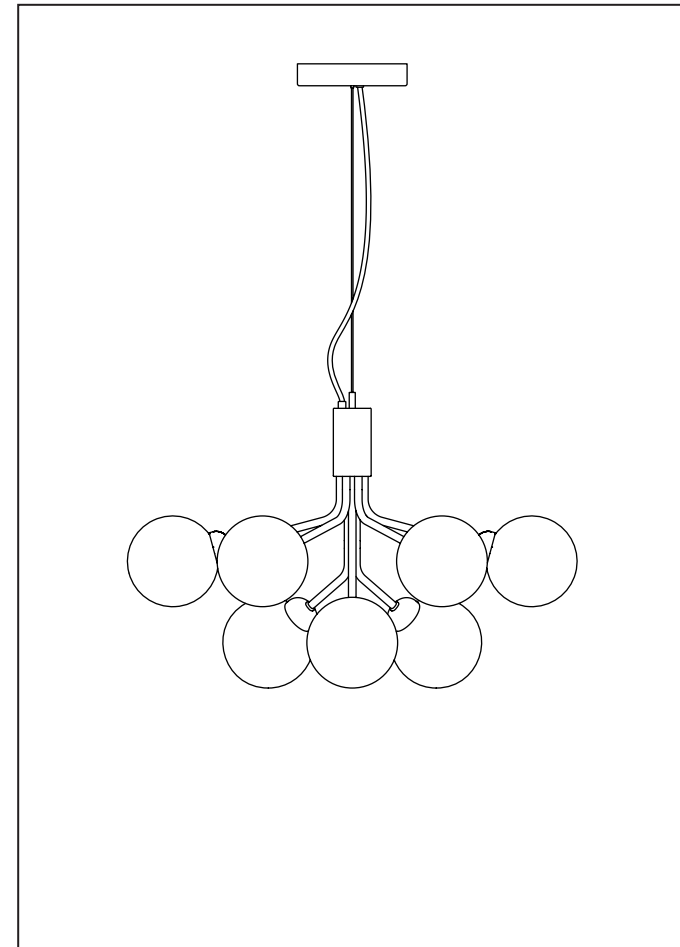
The glass used for this lamp is hand-blown.

Only 1st. quality has been chosen.

Air bubbles and variations in thickness and colour is normal.

# Apiales 9/18

## Assembly Instructions



NUURA

www.nuura.com  
info@nuura.com

CE

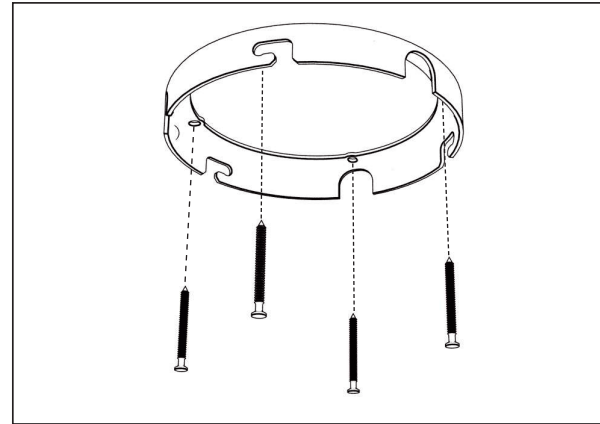
© 2019 All rights reserved

NUURA

© 2019 All rights reserved



1



Mount the bracket to the ceiling with screws.

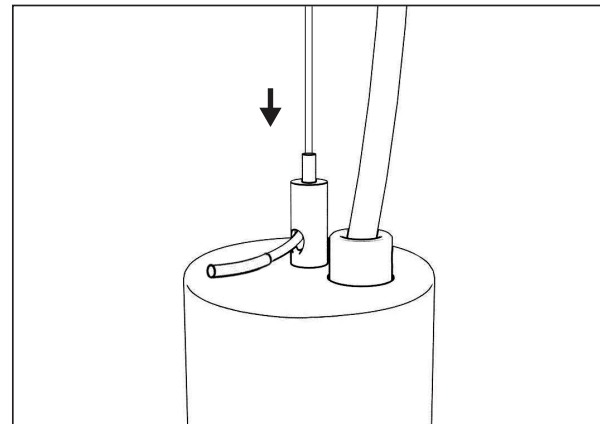
Please make sure it is fixated properly.

Weight:

Apiales 9: 3,99 kg

Apiales 18: 7,39 kg

2

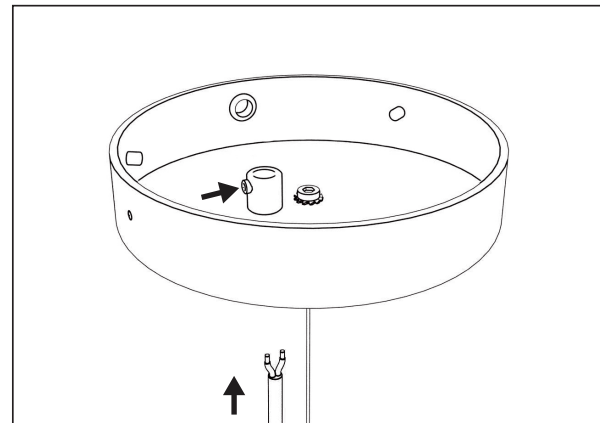


Pull the wire through the wire lock and adjust it to the desired height.

If you have pulled too much of the wire through the wire lock you can press the top of the wire lock to release the wire.

**WARNING:** Always support the chandelier when releasing the wire from the wire lock.

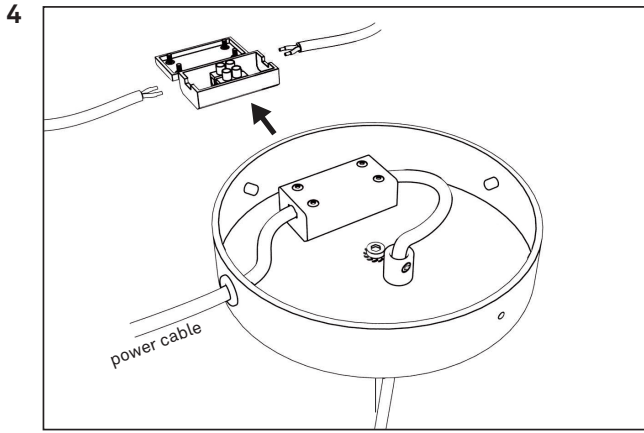
3



Lead the fabric cable in through the cable relief inside of the ceiling plate.

Adjust the length of the cable to the desired length and then add a bit of slack. It is important that the chandelier is hung by the wire - **NOT** by the fabric cable.

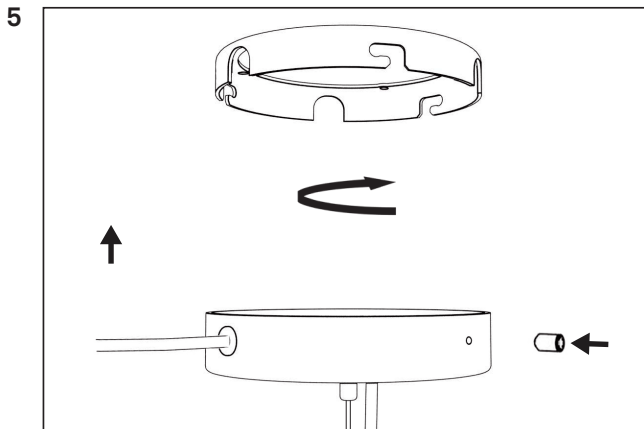
Be sure to tighten the screw carefully.



1. Lead the fabric cable into the cable connector.

2. Install the power cable by leading it through the side of the ceiling plate through the cable relief and into the cable connector.

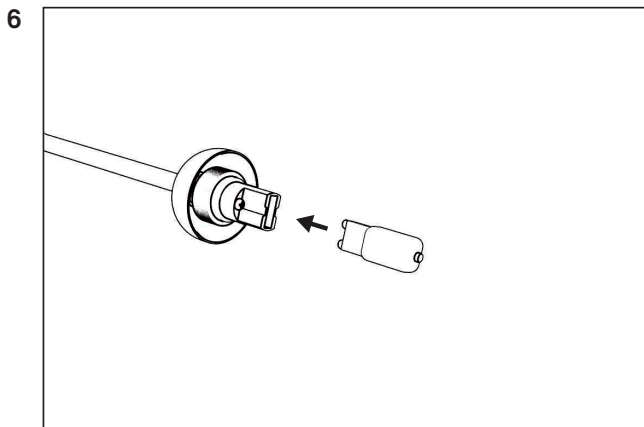
Please make sure the cable relief is tightened.



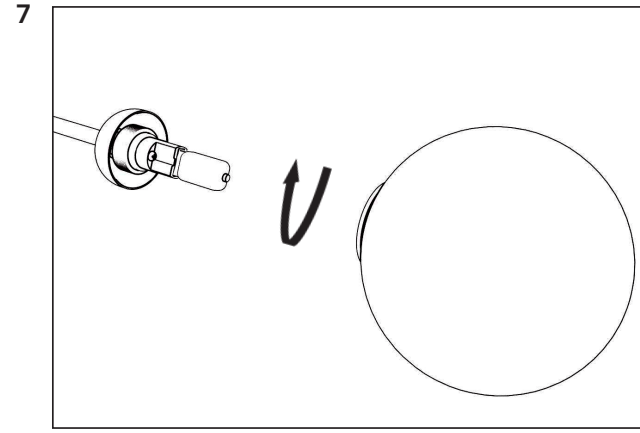
Attach the ceiling plate to the bracket by turning the ceiling plate.

Fixate with the socket screw.

Please make sure everything is fixated properly.



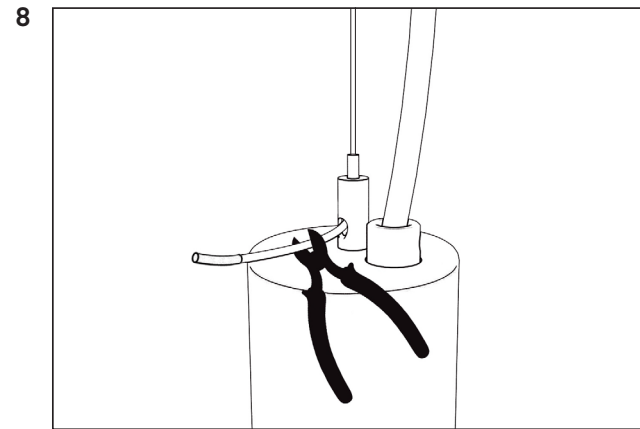
Place a G9 light bulb in the socket.



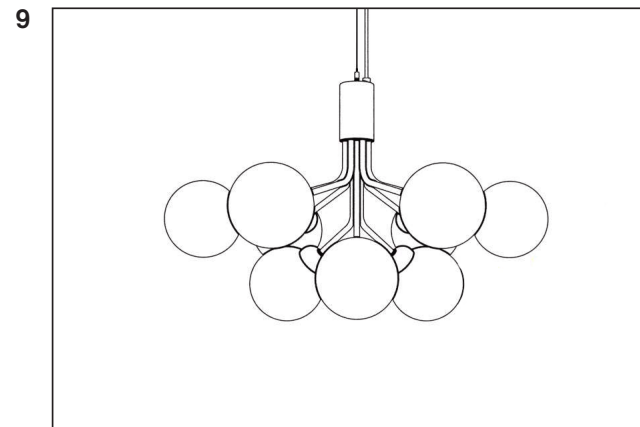
Take the glass globe and carefully place it over the light bulb and socket.

Fixate it by turning the glass globe clockwise.

Please make sure they are fixated properly.



Cut the wire with a nipper after you are satisfied with the height and placement the chandelier and fabric cable.



Completed.