

Safety instructions

Important! Before commencing installation work disconnect the main cable from the power supply - remove fuse or turn switch to "OFF"!

1. Installation should be carried out in accordance with the local safety regulations.
2. In order to prevent damage, please check walls for cables before drilling holes.
3. Please ensure that all electrical connections (even preassembled lamps) are screwed tightly or are fully inserted as good contact is essential for a long life-span at high currents. Please check for tightconnections after changing or adjusting lamps. Screwed connections must be tightened after 20 minutes.
4. Please do not place objects on your system (e.g. for decorative purposes) if they were not delivered with the system.
5. The lamps get very hot when in use. Please allow lamps to cool down before touching.
6. Do not change lamps or spots when switched on.
7. System should not be enlarged with additional lamps.
8. We reserve the right to technical alterations.

Please keep these instructions.

Europe: Fitting: G9 - Voltage: 220-240 V

North America: Fitting: G9 - Voltage: 110-120 V

Use of a dimmer is highly recommended

(Must be compatible with type of bulb.)

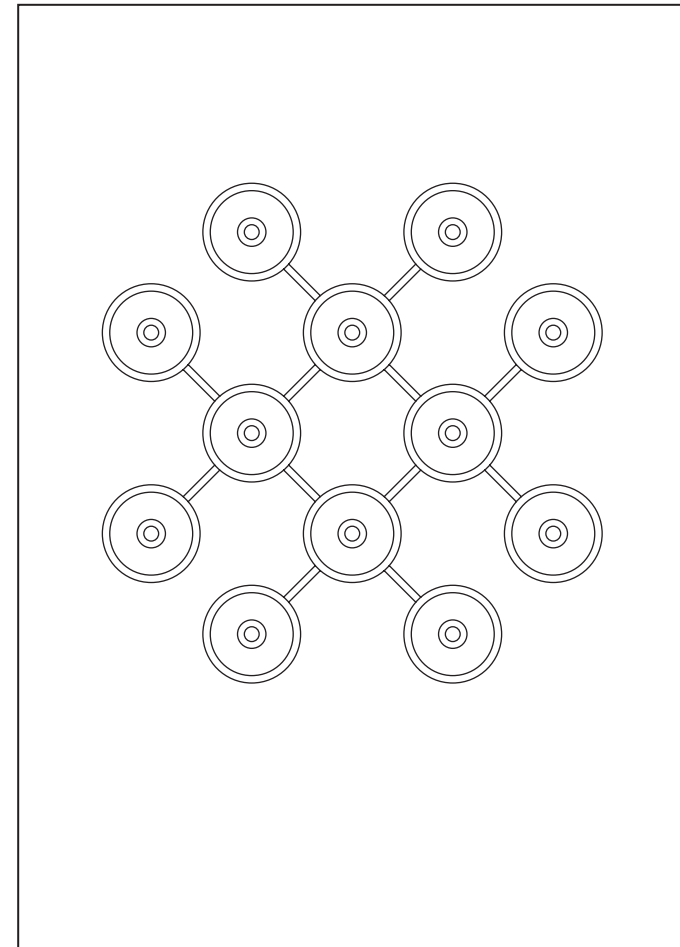
The glass used for this lamp is hand-blown.

Only 1st. quality has been chosen.

Air bubbles and variations in thickness and colour is normal.

Liila 12 Wall/Ceiling

Assembly Instructions



NUURA

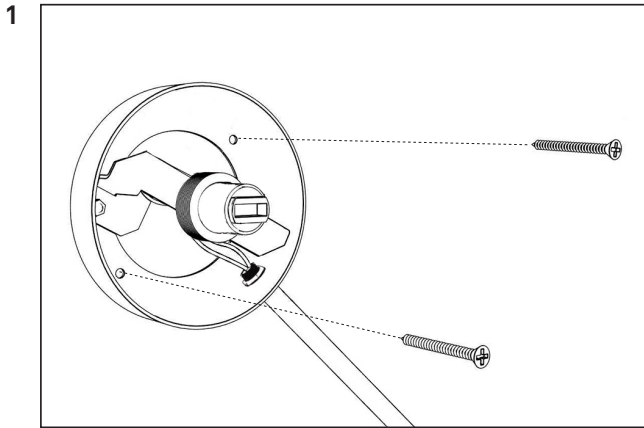
www.nuura.com
info@nuura.com

CE

© 2018 All rights reserved

NUURA

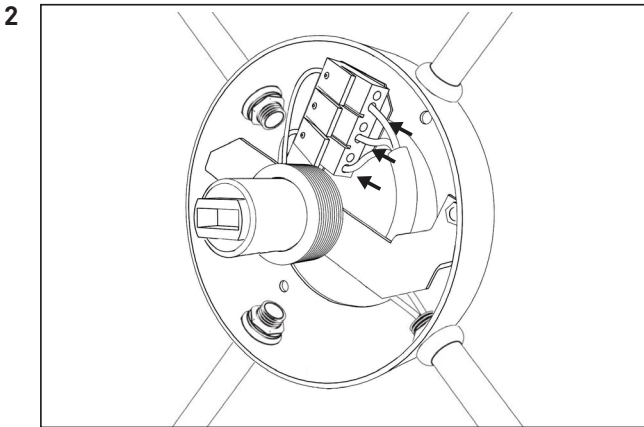
© 2018 All rights reserved



Mount the back part of the lamp to the wall or ceiling with screws.

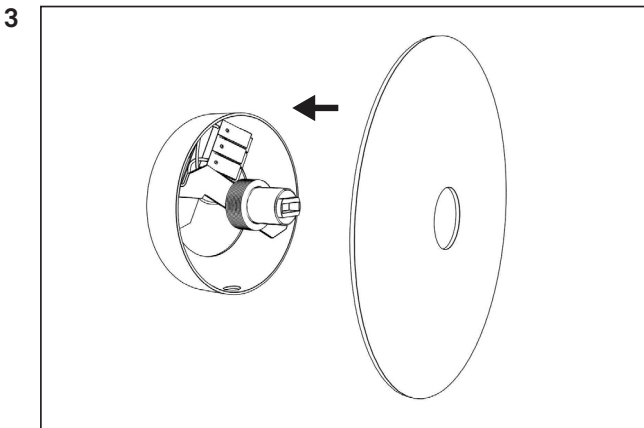
Please make sure the lamp is fixated properly.

NB. We recommend a minimum of 6 screws evenly positioned around the lamp.

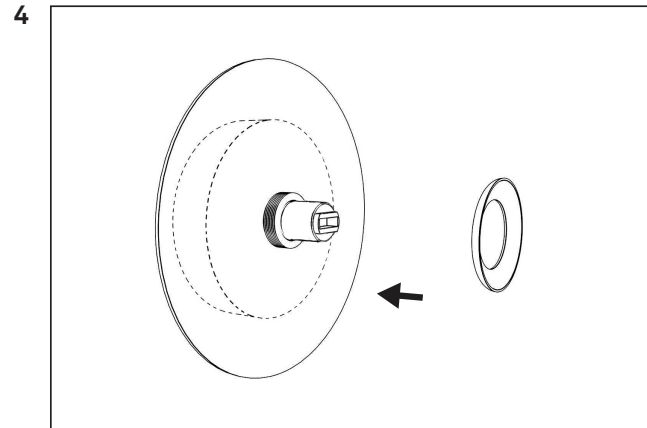


Lead the power cable in through the back of the where the cable connector resides.

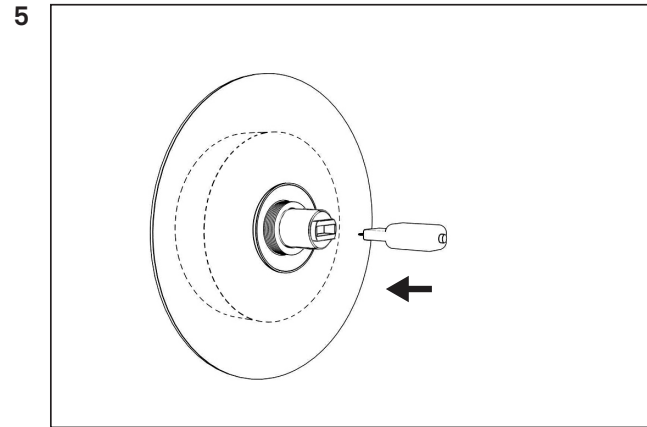
Connect the wire-ends to the cable connector. Match the brown wire with "L" the blue wire with "N" and the green/yellow wire with the grounding symbol



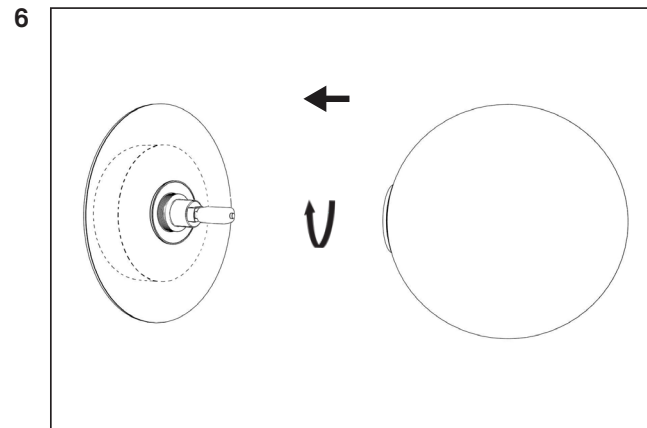
Carefully place the cover plate over the socket.



Carefully place the small metal plate over the socket.



Place a G9 light bulb in the socket.



Take the glass globe and carefully place it over the light bulb. Fixate it by turning the glass globe clockwise.