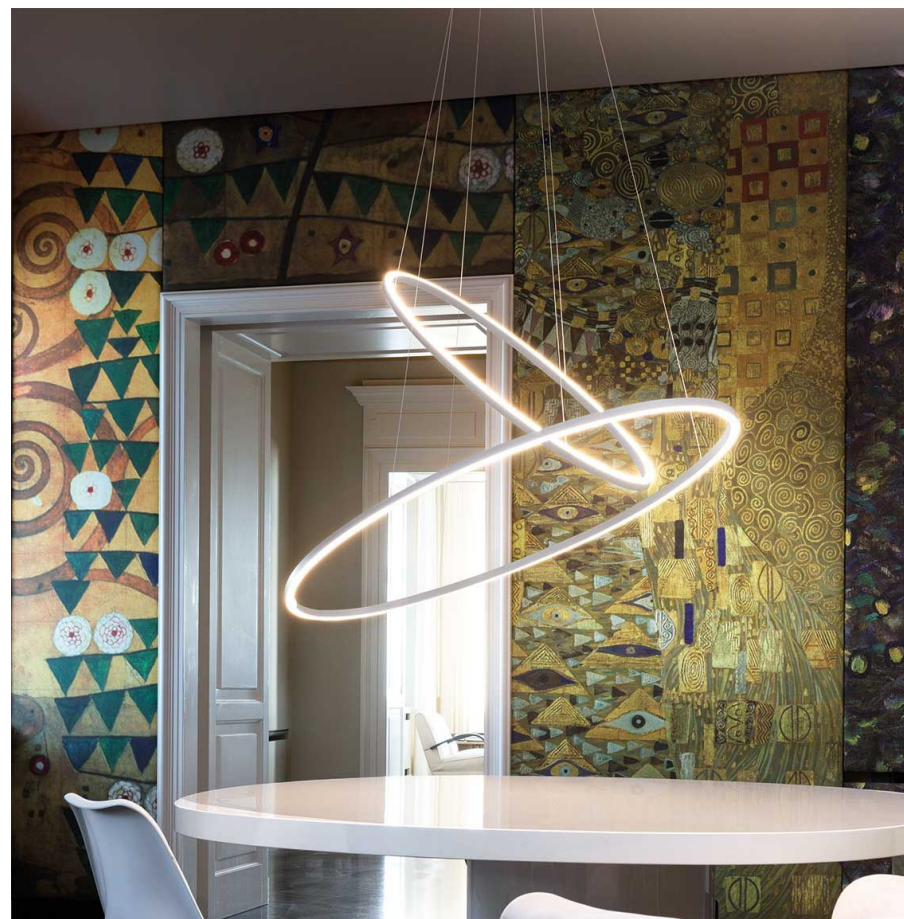


# ELLISSE PENDANT DOUBLE

*Federico Palazzari*

LED pendant lamp, available in three versions: major, minor and double, widespread direct or indirect lighting. Extruded aluminium, matt white, matt black painted, polished or glossy gold anodized. Opaline diffuser. Ellisse is manufactured through a proprietary technology to combine the extruded bars (patent pending). Major version available also for wall and floor applications, with a marble base on the floor version and with a wall kit mounting on the wall one.



# LED 2700K

## LAMPING

Source	linear LED
Total power	90W
Emission	diffused uplight(minor), diffused downlight (major)
Switching	dimnable 1-10V
Tension	110/230V
Color temperature	2700K
Luminous flux	2825+1850lm (luminous output)
Typ cri	85
Energy class	A+
Materials	Aluminium
Notes	cable length 2,5m cable length 2,5m; adjustable cable length up to 0,4 m
Net lamp weight	5.5 Kg

## Codes

ELP LW2 56  
ELP LN2 56  
ELP LGW 56  
ELP LL2 56  
ELP LO2 56

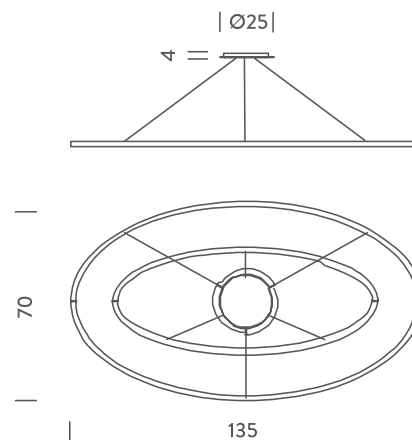
## Structure/Diffuser

white/white  
black/white  
gold polished anodized/white  
polished aluminium/white  
gold painted/white

## PACKAGE

Package 01 80x150x15 cm / Gross weight: 8 Kg

## Certificazioni



# LED 3000K

## LAMPING

Source	linear LED
Total power	90W
Emission	diffused uplight(minor), diffused downlight (major)
Switching	dimmable 1-10V
Tension	110/230V
Color temperature	3000K (gold version: 2700K)
Luminous flux	2825+1850lm (luminous output)
Typ cri	85
Energy class	A+
Materials	Aluminium
Notes	cable length 2,5m; adjustable cable length up to 0,4 m
Net lamp weight	5.5 Kg

## Codes

ELP LWW 56  
ELP LNW 56  
ELP LOW 56  
ELP LLW 56

## Structure/Diffuser

white/white  
black/white  
gold painted/white  
polished aluminium/white

## PACKAGE

Package 01 80x150x15 cm / Gross weight: 8 Kg

## Certificazioni

