

ELLISSE PENDANT MAJOR

Federico Palazzari

LED pendant lamp, available in three versions: major, minor and double, widespread direct or indirect lighting. Extruded aluminium, matt white, matt black painted, polished or glossy gold anodized. Opaline diffuser. Ellisse is manufactured through a proprietary technology to combine the extruded bars (patent pending). Major version available also for wall and floor applications, with a marble base on the floor version and with a wall kit mounting on the wall one.



DOWNLIGHT | 3000K

LAMPING

Source	linear LED
Total power	66W
Emission	diffused orientable
Switching	dimmable 1-10V
Tension	110/230V
Color temperature	3000K
Luminous flux	3450lm (luminous output)
Typ cri	85
Energy class	A+
Materials	Aluminium
Notes	cable length 2,5m; adjustable cable length up to 0,4 m
Net lamp weight	5 Kg

Codes

ELP LWW 54
ELP LNW 54
ELP LOW 54
ELP LLW 54

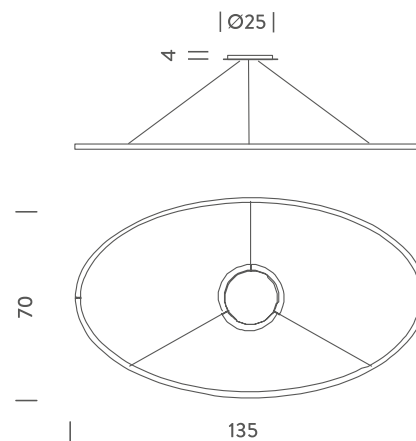
Structure/Diffuser

white/white
black/white
gold painted/white
polished aluminium/white

PACKAGE

Package 01	80x150x15 cm / Gross weight: 7.5 Kg
------------	-------------------------------------

Certificazioni



DOWNLIGHT | 2700K

LAMPING

Source	linear LED
Total power	66W
Emission	diffused orientable
Switching	dimnable 1-10V
Tension	110/230V
Color temperature	2700K
Luminous flux	3450lm (luminous output)
Typ cri	85
Energy class	A+
Materials	Aluminium
Notes	cable length 2,5m; adjustable cable length up to 0,4 m
Net lamp weight	5 Kg

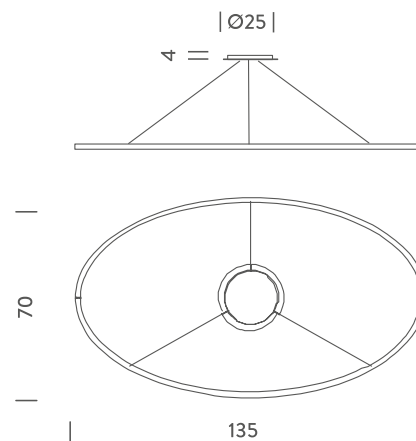
Codes

ELP LW2 54	white/white
ELP LN2 54	black/white
ELP LGW 54	gold polished anodized/white
ELP LL2 54	polished aluminium/white
ELP LO2 54	gold painted/white

PACKAGE

Package 01	80x150x15 cm / Gross weight: 7.5 Kg
------------	-------------------------------------

Certificazioni



UPLIGHT | 3000K

LAMPING

Source	linear LED
Total power	66W
Emission	diffused orientable
Switching	dimnable 1-10V
Tension	110/230V
Color temperature	3000K
Luminous flux	3450lm (luminous output)
Typ cri	85
Energy class	A+
Materials	Aluminium
Notes	cable length 2,5m; adjustable cable length up to 0,4 m
Net lamp weight	5 Kg

Codes

ELP LWW 53
ELP LNW 53
ELP LLW 53
ELP LOW 53

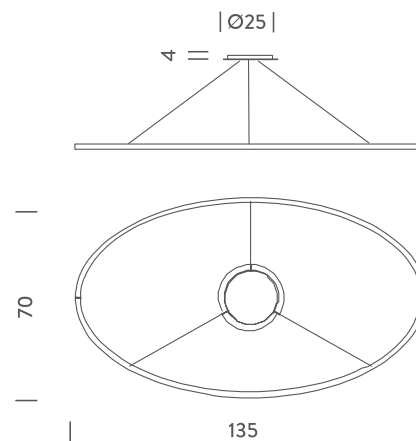
Structure/Diffuser

white/white
black/white
polished aluminium/white
gold painted/white

PACKAGE

Package 01	80x150x15 cm / Gross weight: 7.5 Kg
------------	-------------------------------------

Certificazioni



UPLIGHT | 2700K

LAMPING

Source	linear LED
Total power	66W
Emission	diffused orientable
Switching	dimnable 1-10V
Tension	110/230V
Color temperature	2700K
Luminous flux	3450lm (luminous output)
Typ cri	85
Energy class	A+
Materials	Aluminium
Notes	cable length 2,5m; adjustable cable length up to 0,4 m
Net lamp weight	5 Kg

Codes

ELP LW2 53	white/white
ELP LN2 53	black/white
ELP LGW 53	gold polished anodized/white
ELP LL2 53	polished aluminium/white
ELP LO2 53	gold painted/white

PACKAGE

Package 01	80x150x15 cm / Gross weight: 7.5 Kg
------------	-------------------------------------

Certificazioni

