

# ELLISSE PENDANT MINOR

*Federico Palazzari*

LED pendant lamp, available in three versions: major, minor and double, widespread direct or indirect lighting. Extruded aluminium, matt white, matt black painted, polished or glossy gold anodized. Opaline diffuser. Ellisse is manufactured through a proprietary technology to combine the extruded bars (patent pending). Major version available also for wall and floor applications, with a marble base on the floor version and with a wall kit mounting on the wall one.



## DOWNLIGHT | 2700K

---

### LAMPING

Source	linear LED
Total power	44W
Emission	diffused orientable
Switching	dimmable 1-10V
Tension	110/230V
Color temperature	2700K
Luminous flux	2250lm (luminous output)
Typ cri	85
Energy class	A+
Materials	Aluminium
Notes	cable length 2,5m; adjustable cable length up to 0,4 m
Net lamp weight	5 Kg

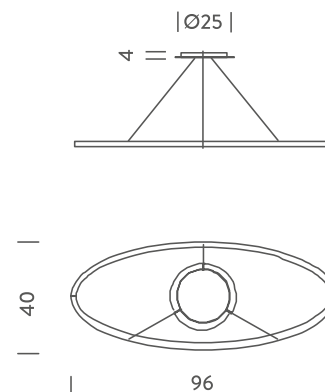
### Codes

ELP LW2 52	white/white
ELP LN2 52	black/white
ELP LL2 52	polished aluminium/white
ELP LGW 52	gold polished anodized/white
ELP LO2 52	gold painted/white

### PACKAGE

Package 01	80x150x15 cm / Gross weight: 7.5 Kg
------------	-------------------------------------

### Certificazioni



## DOWNLIGHT | 3000K

### LAMPING

Source	linear LED
Total power	44W
Emission	diffused orientable
Switching	dimmable 1-10V
Tension	110/230V
Color temperature	3000K
Luminous flux	2250lm (luminous output)
Typ cri	85
Energy class	A+
Materials	Aluminium
Notes	cable length 2,5m; adjustable cable length up to 0,4 m
Net lamp weight	5 Kg

### Codes

ELP LWW 52  
ELP LNW 52  
ELP LLW 52  
ELP LOW 52

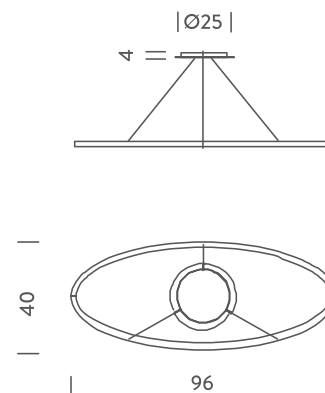
### Structure/Diffuser

white/white  
black/white  
polished aluminium/white  
gold painted/white

### PACKAGE

Package 01 80x150x15 cm / Gross weight: 7.5 Kg

### Certificazioni



## UPLIGHT | 2700K

### LAMPING

Source	linear LED
Total power	44W
Emission	diffused orientable
Switching	dimnable 1-10V
Tension	110/230V
Color temperature	2700K
Luminous flux	2250lm (luminous output)
Typ cri	85
Energy class	A+
Materials	Aluminium
Notes	cable length 2,5m; adjustable cable length up to 0,4 m
Net lamp weight	5 Kg

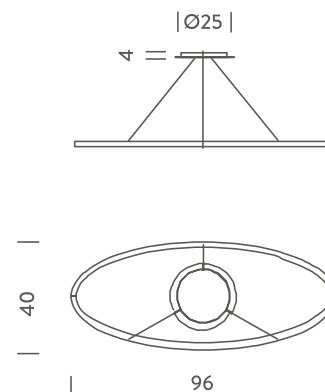
### Codes

ELP LW2 51	white/white
ELP LN2 51	black/white
ELP LL2 51	polished aluminium/white
ELP LGW 51	gold polished anodized/white
ELP LO2 51	gold painted/white

### PACKAGE

Package 01	80x150x15 cm / Gross weight: 7.5 Kg
------------	-------------------------------------

### Certificazioni



## UPLIGHT | 3000K

### LAMPING

Source	linear LED
Total power	44W
Emission	diffused orientable
Switching	dimmable 1-10V
Tension	110/230V
Color temperature	3000K
Luminous flux	2250lm (luminous output)
Typ cri	85
Energy class	A+
Materials	Aluminium
Notes	cable length 2,5m; adjustable cable length up to 0,4 m
Net lamp weight	5 Kg

### Codes

ELP LWW 51	white/white
ELP LNW 51	black/white
ELP LLW 51	polished aluminium/white
ELP LOW 51	gold painted/white

### PACKAGE

Package 01	80x150x15 cm / Gross weight: 7.5 Kg
------------	-------------------------------------

### Certificazioni

